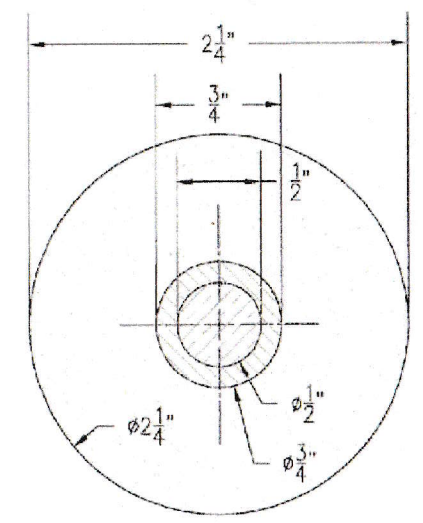
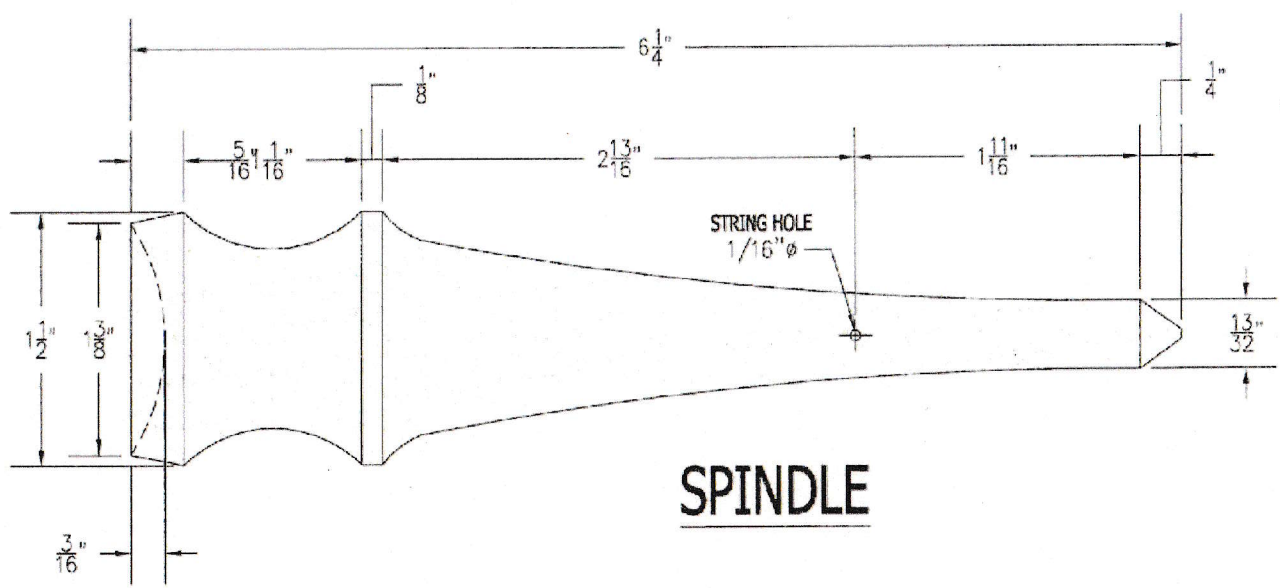


**CUPS**

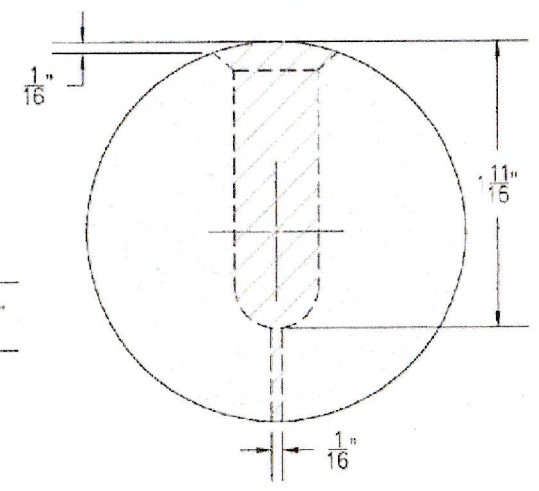
STRING HOLE THRU ONE WALL OF CENTER HOLE



**BALL (TOP HOLE VIEW)**



**SPINDLE**



**BALL (HOLE SECTION VIEW)**

# OFFICIAL SIZE KENDAMA

DIMENSIONS TAKEN FROM AN OFFICIAL SIZE LICENSED KENDAMA

R.A.R. ASSOCIATES, INC.  
RARINC@EMBARQMAIL.COM